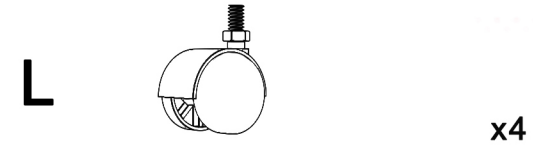
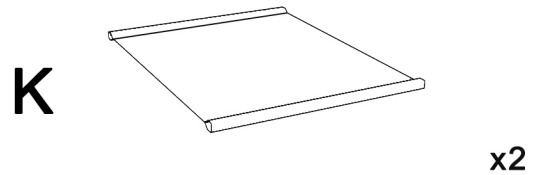
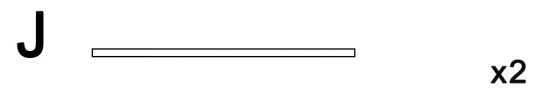
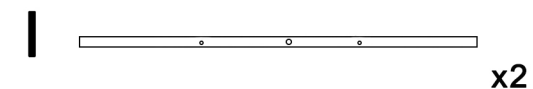
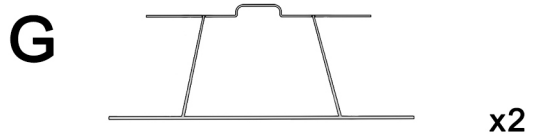
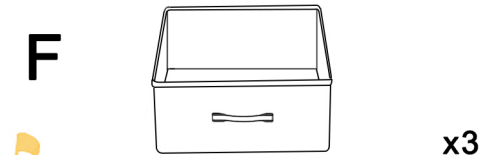
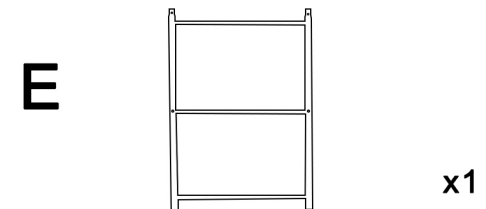
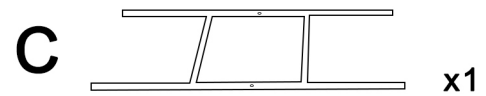
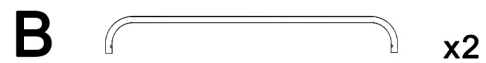
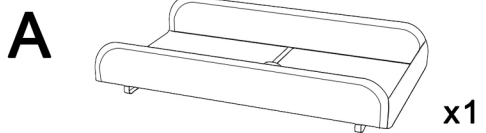


PART LIST

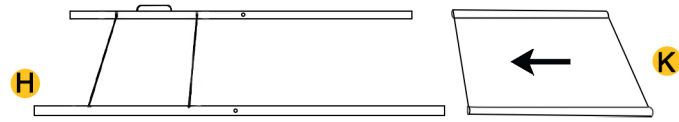


BABY CHANGING TABLE



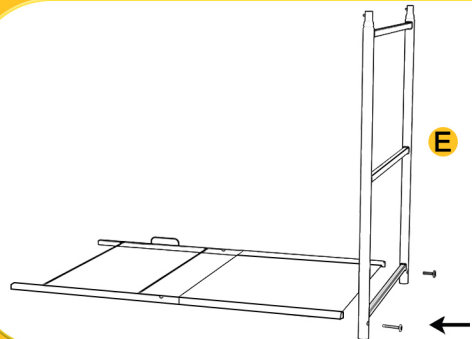
QUICK START

I

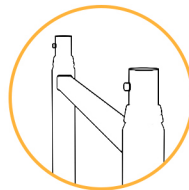


Place a cloth cover of K on the right side of H, being careful not to exceed the circular hole position.

II

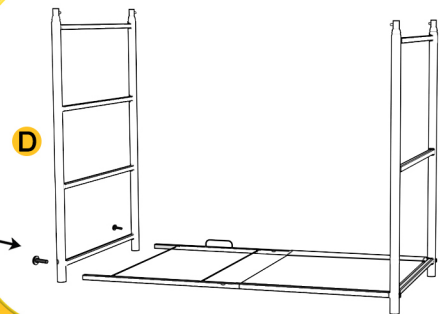


Fix E to the right side of the previous step with screws M.

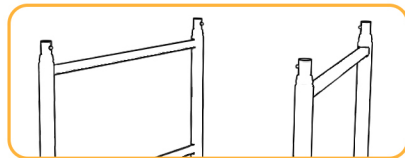


When installing, the snap fastener should face left

III

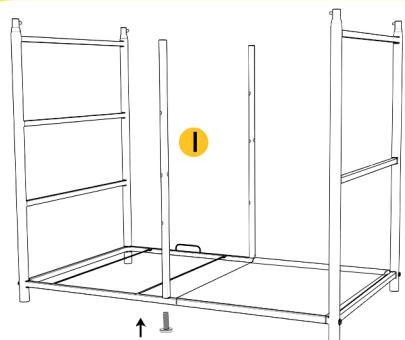


Fix D to the left side of the previous step with screws M.

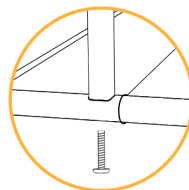


Snap fastener relative

IV



Fix I vertically in the middle of H with screws M.



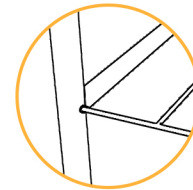
Attention: One side of the three hole positions is on the left side.

TIPS:
Tighten allscrews at last.

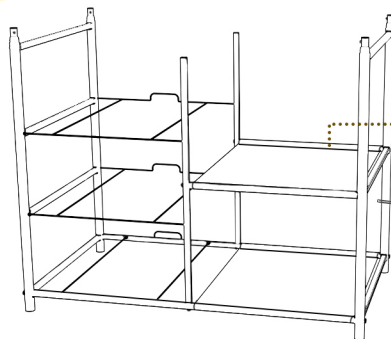
V



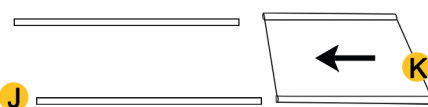
Install G on the left side of the previous step (as shown in the figure).



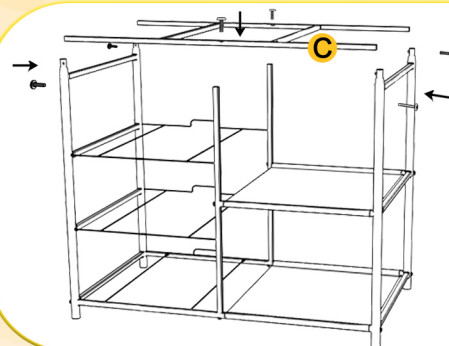
VI



Place K on the two pipes of J, and then fix it in the middle on the right side of the previous step with screws M.



VII



Install C at the top of the previous step and secure it on the left, right, and above with screws M.

VIII

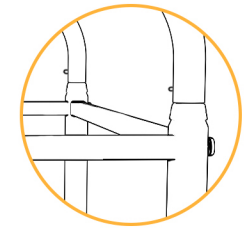


Place F in the right empty space of the previous step in sequence and tighten the screws.

IX



Use the buckle to connect B to the top of the previous step.



X



Place A at the top of the previous step and use the safety buckle to adjust the tightness.



Finally, install L at the bottom of the four bottom rods.

