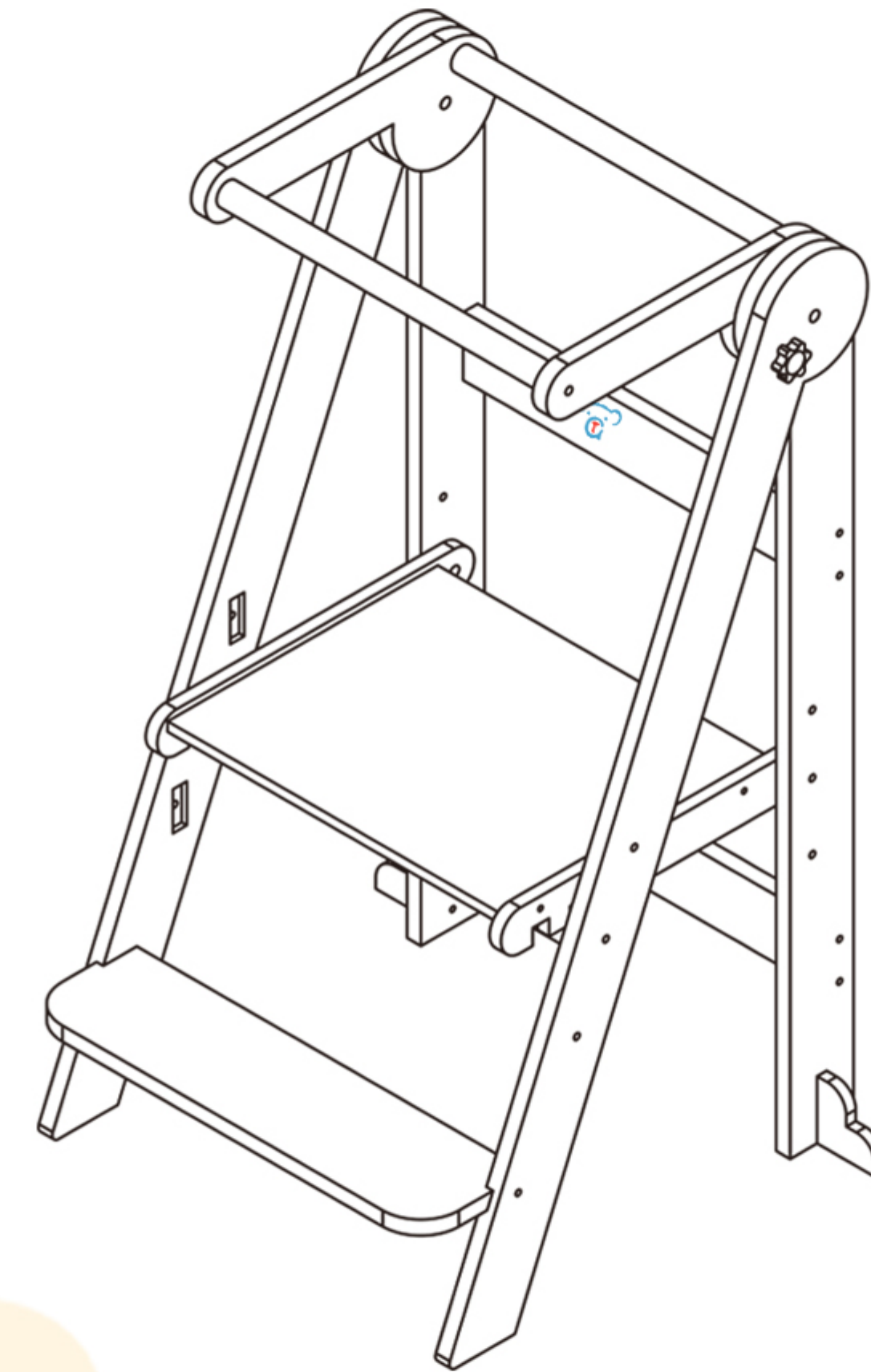
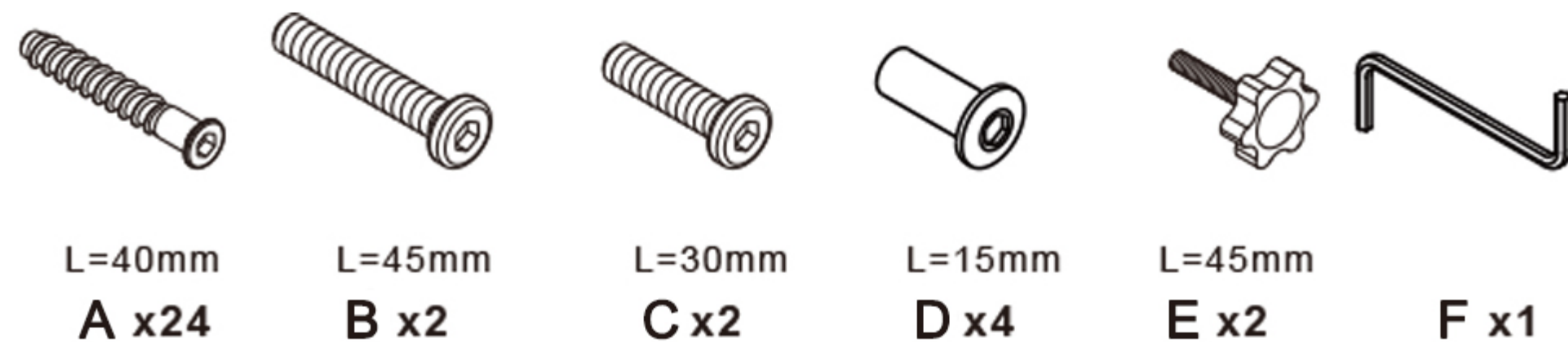
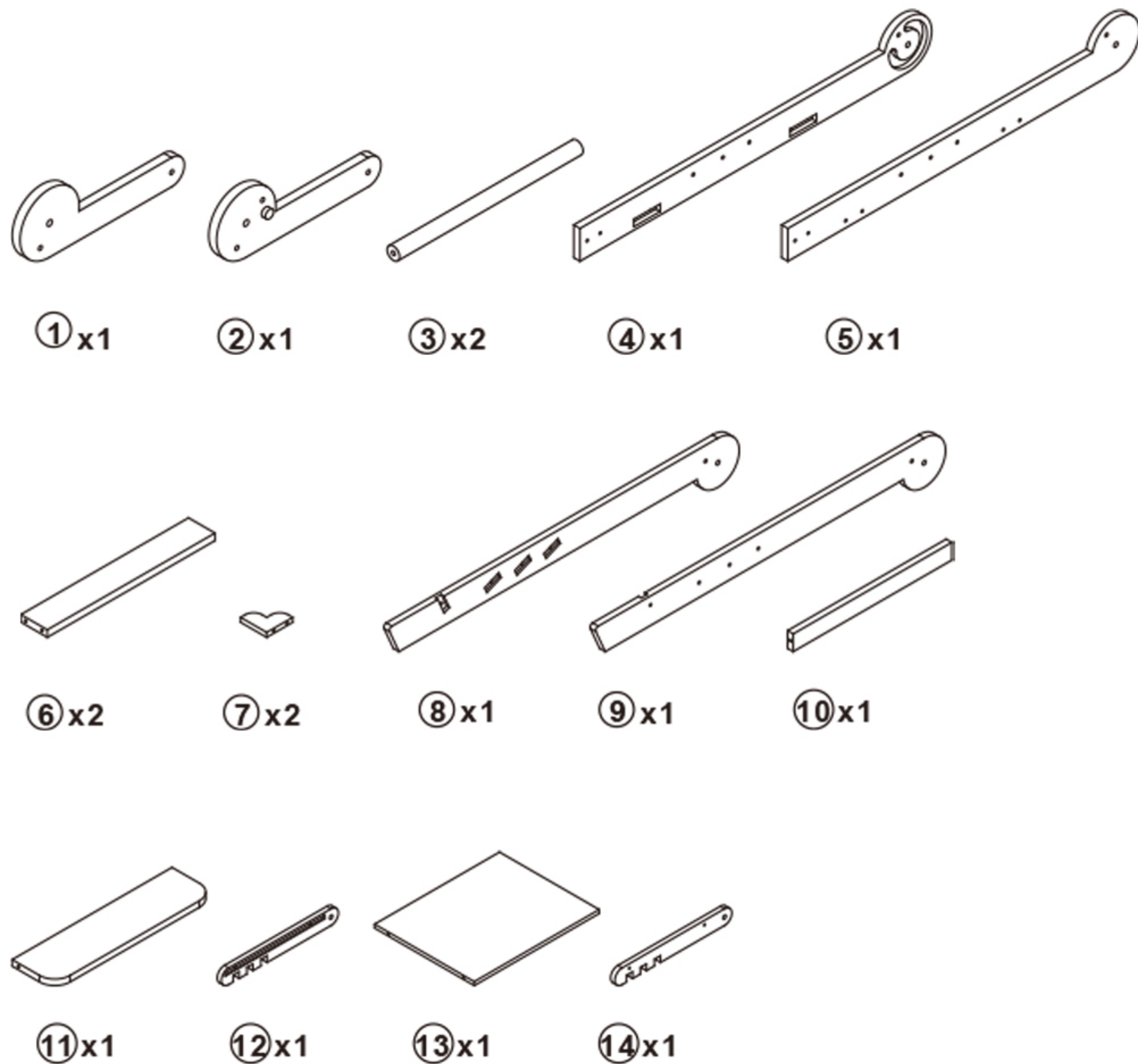


INSTALLING COMPONENTS



Taleco Gear

Toddler Tower

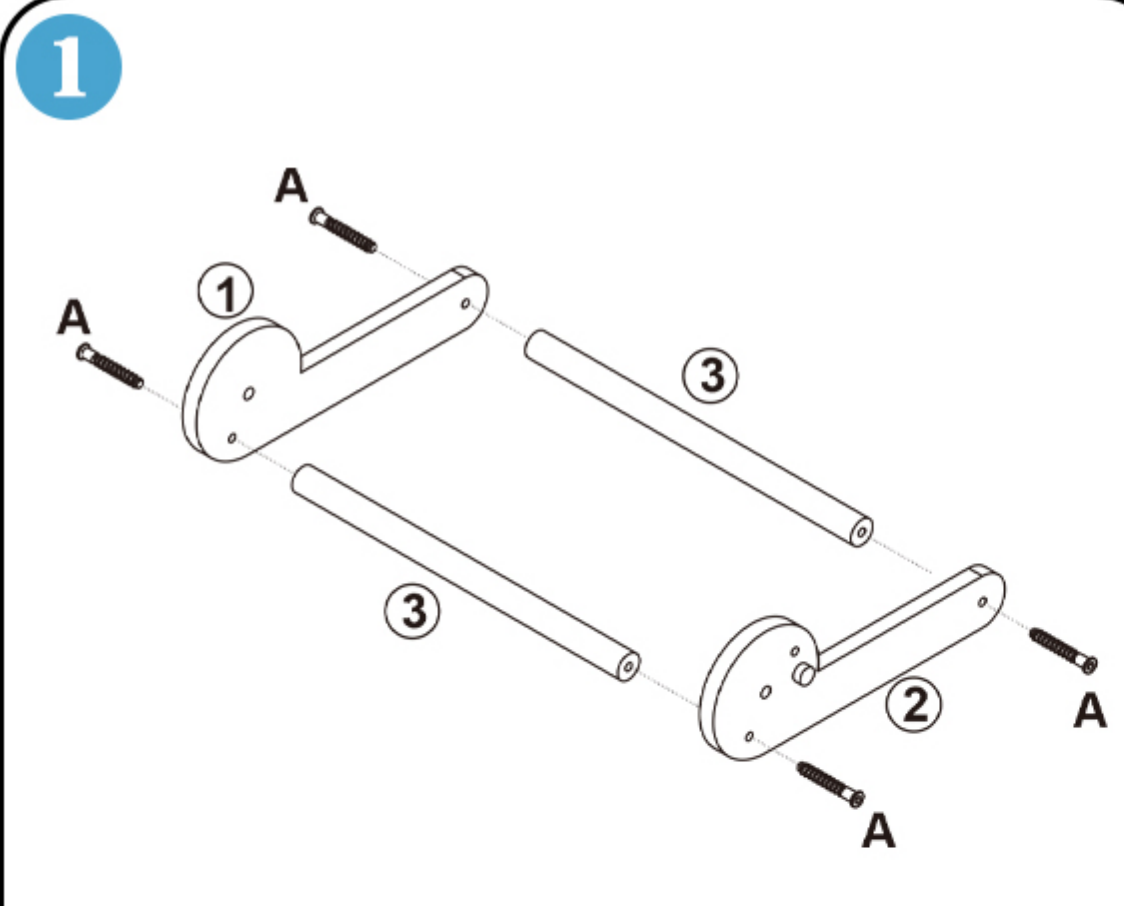


Thank you very much for choosing the toddler tower. If you encounter any problems during use, please contact us by email.

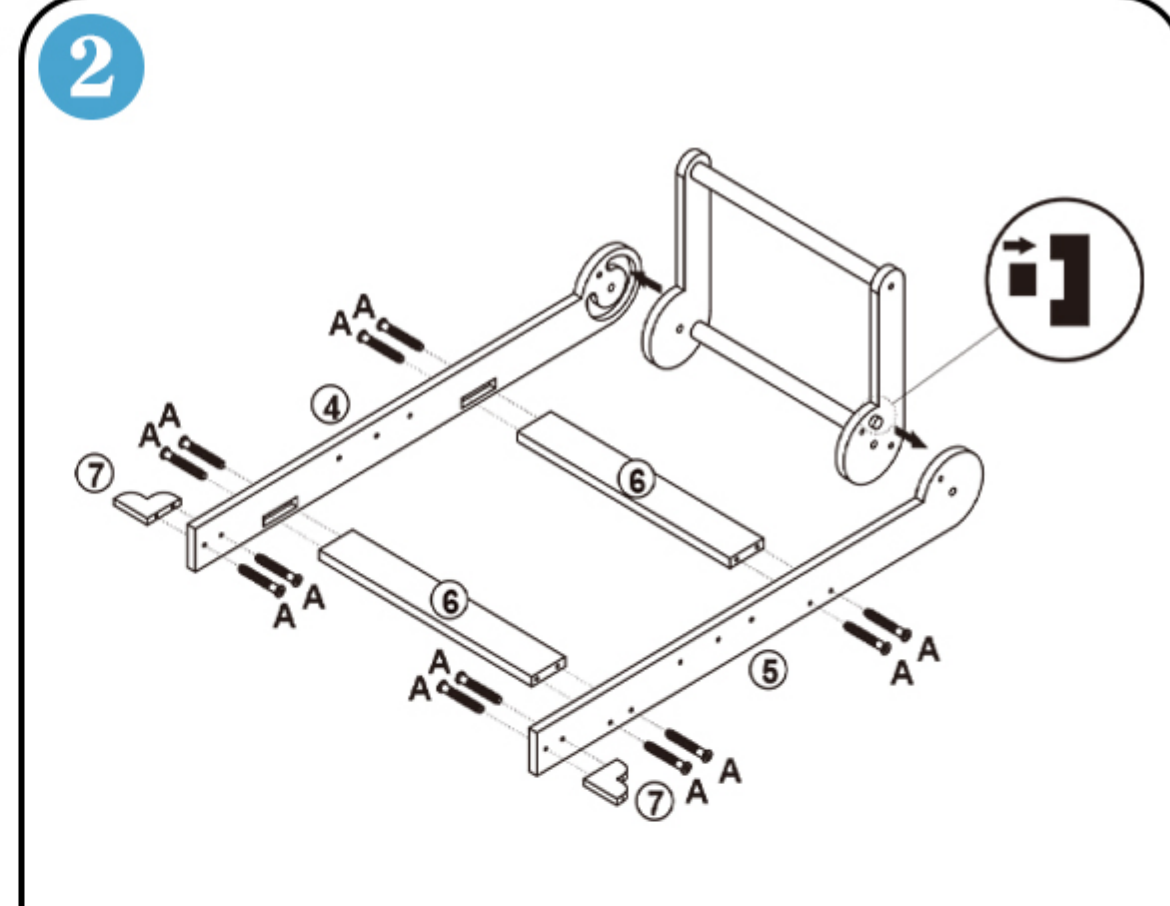
✉ : talecogear@gmail.com

🌐 : <https://www.talecogear.com>

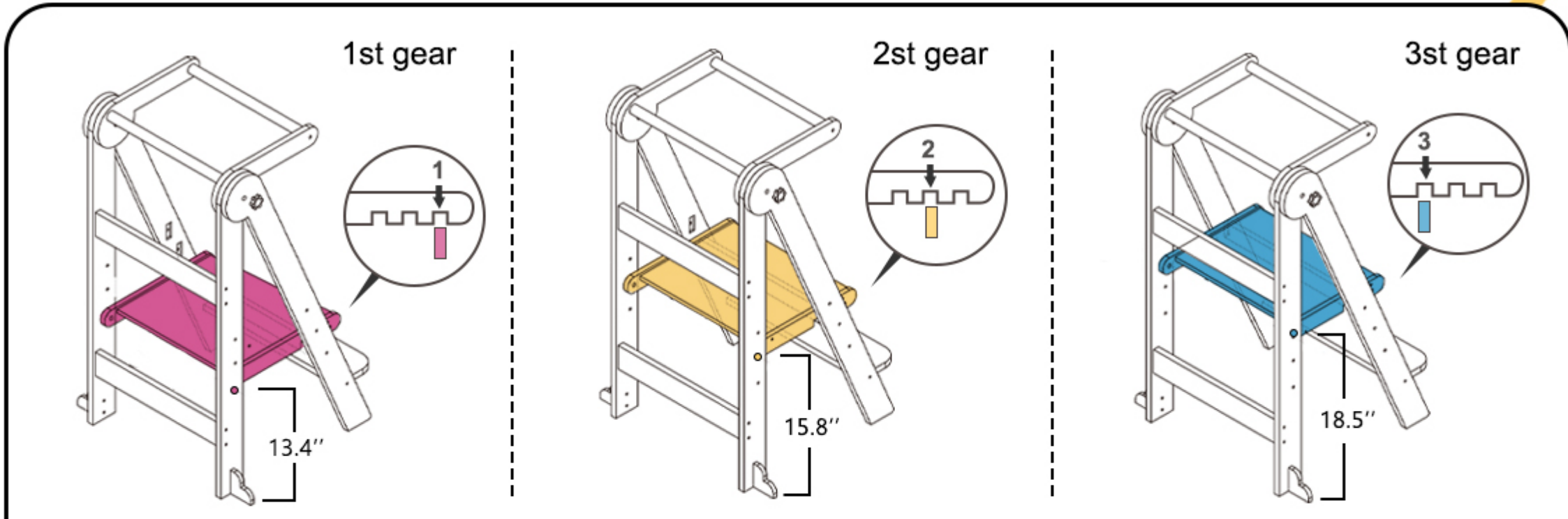
Height adjustment



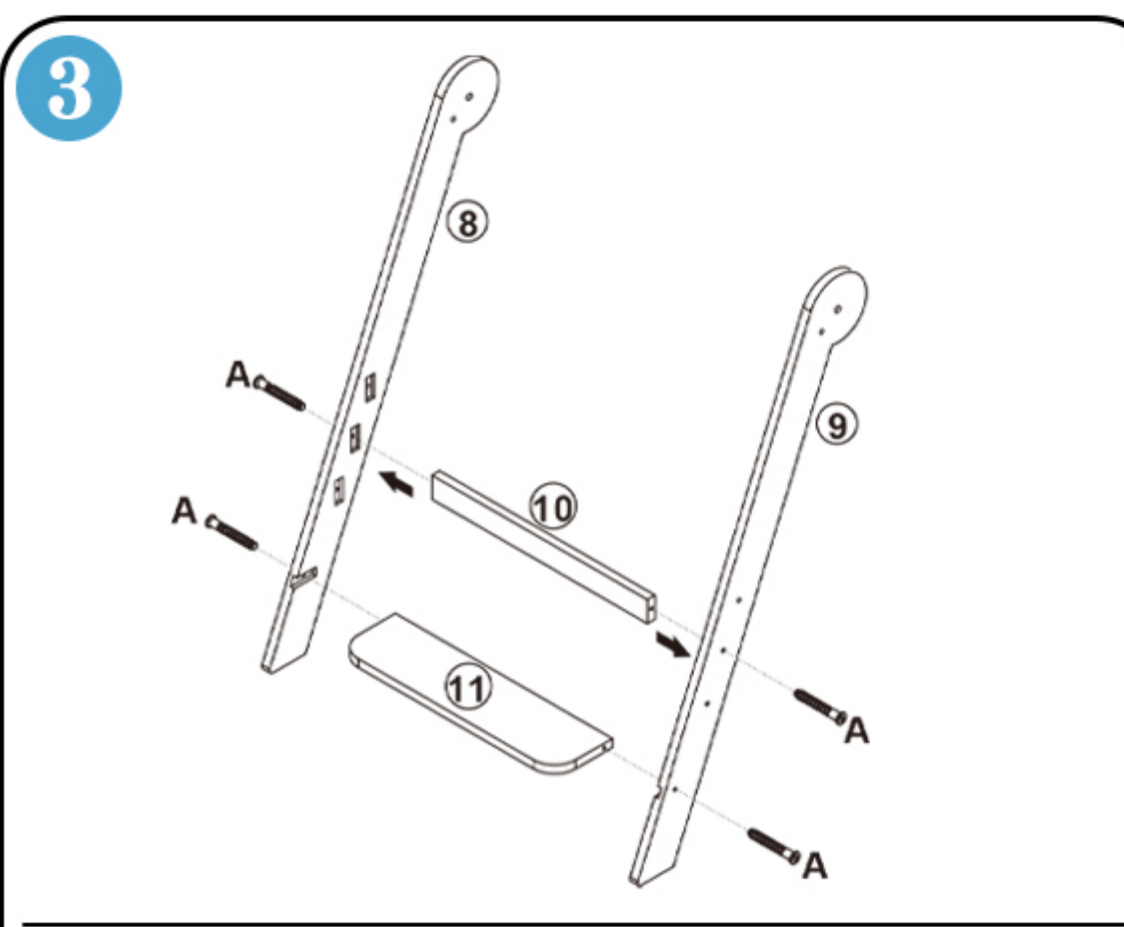
Use ③ to link ① and ②.



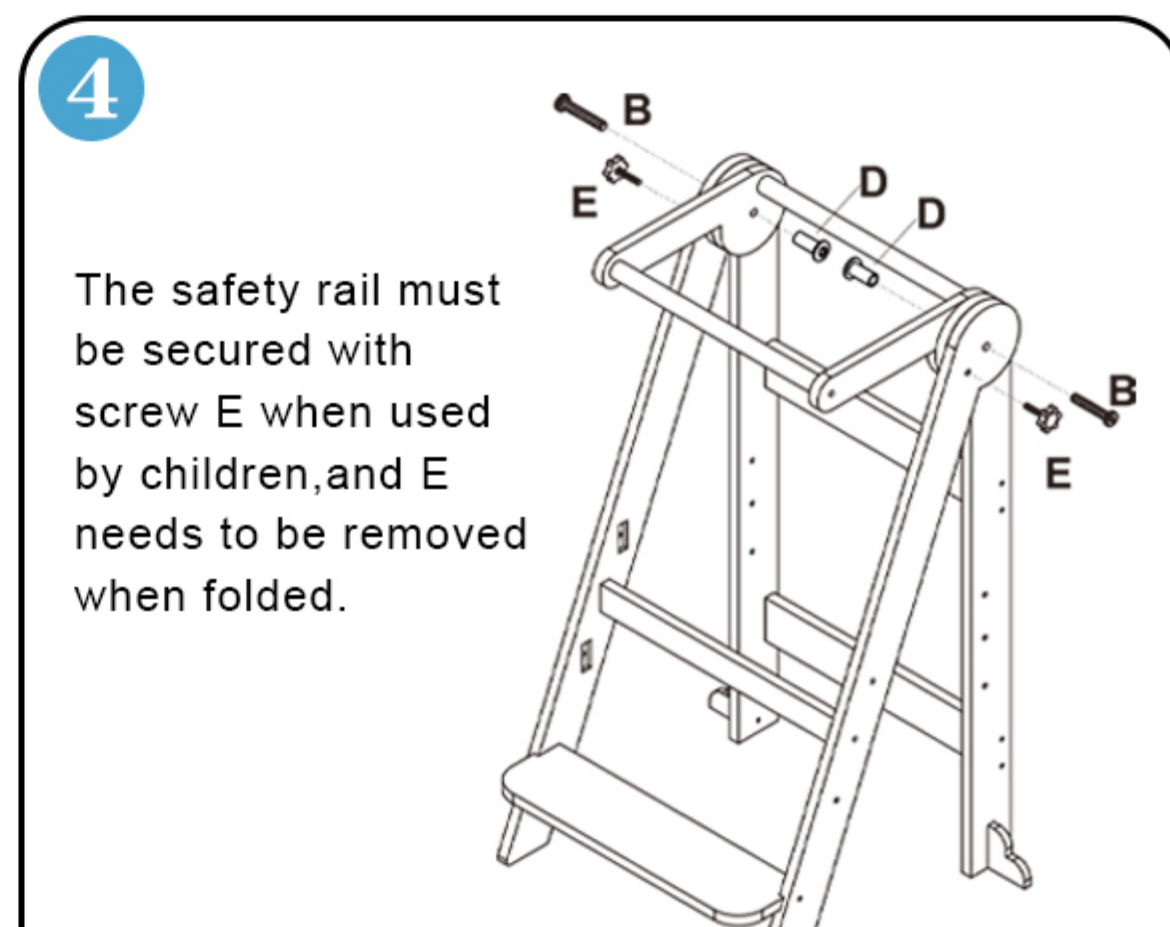
The protruding button needs to be inserted into the slots ④ and ⑤.



Tips: The height of the pedal holes should correspond to the grooves.

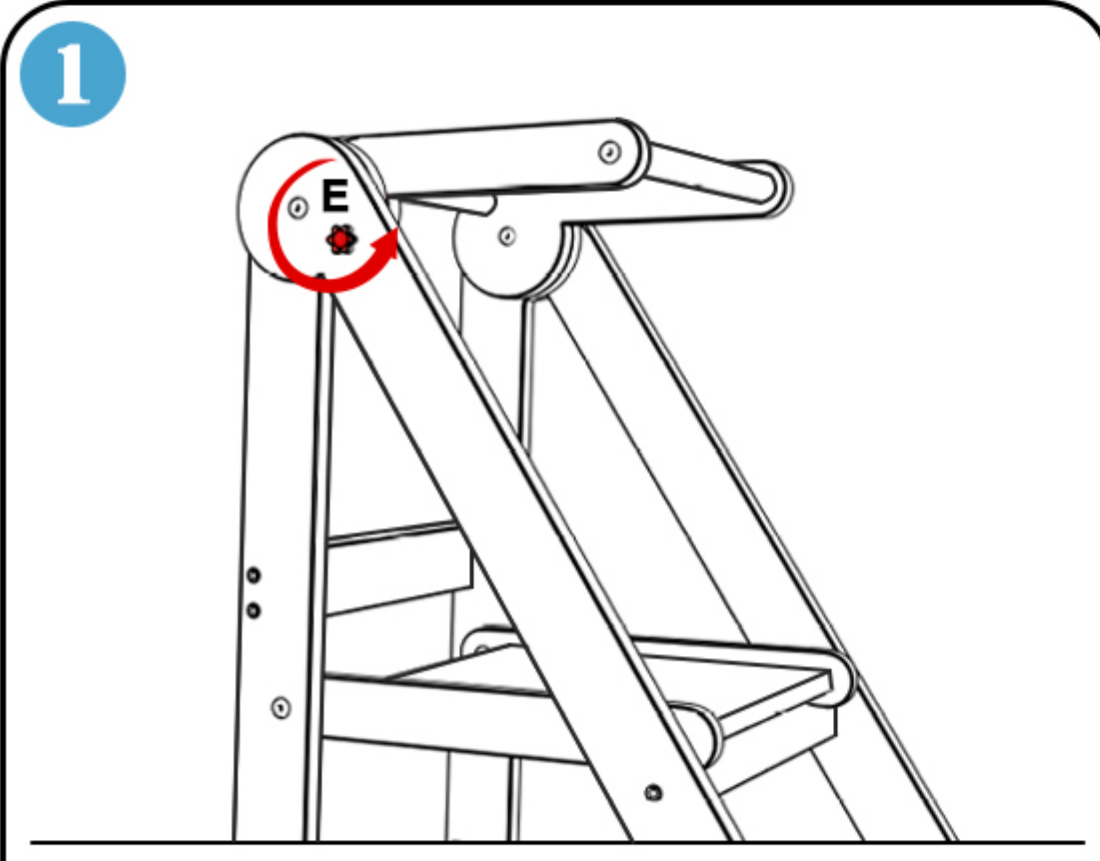


Use screws A to fix ⑩ at the specified height.

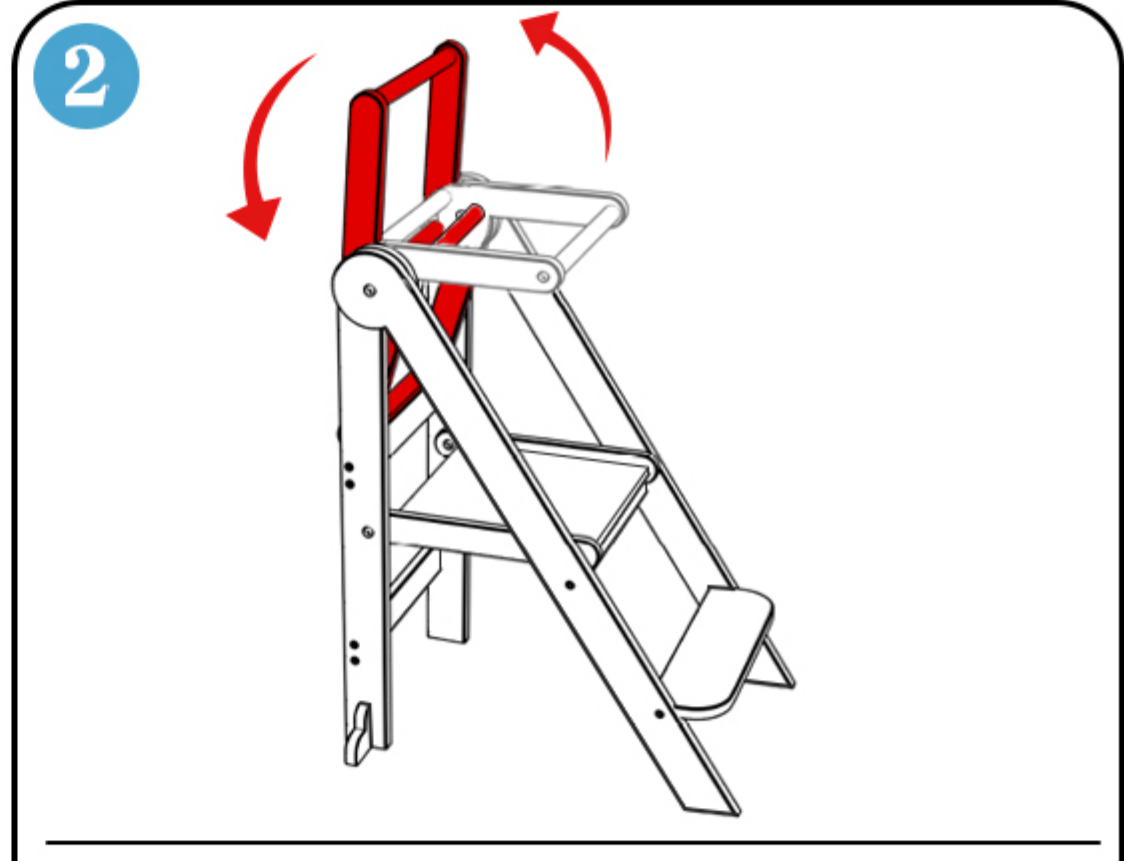


The safety rail must be secured with screw E when used by children, and E needs to be removed when folded.

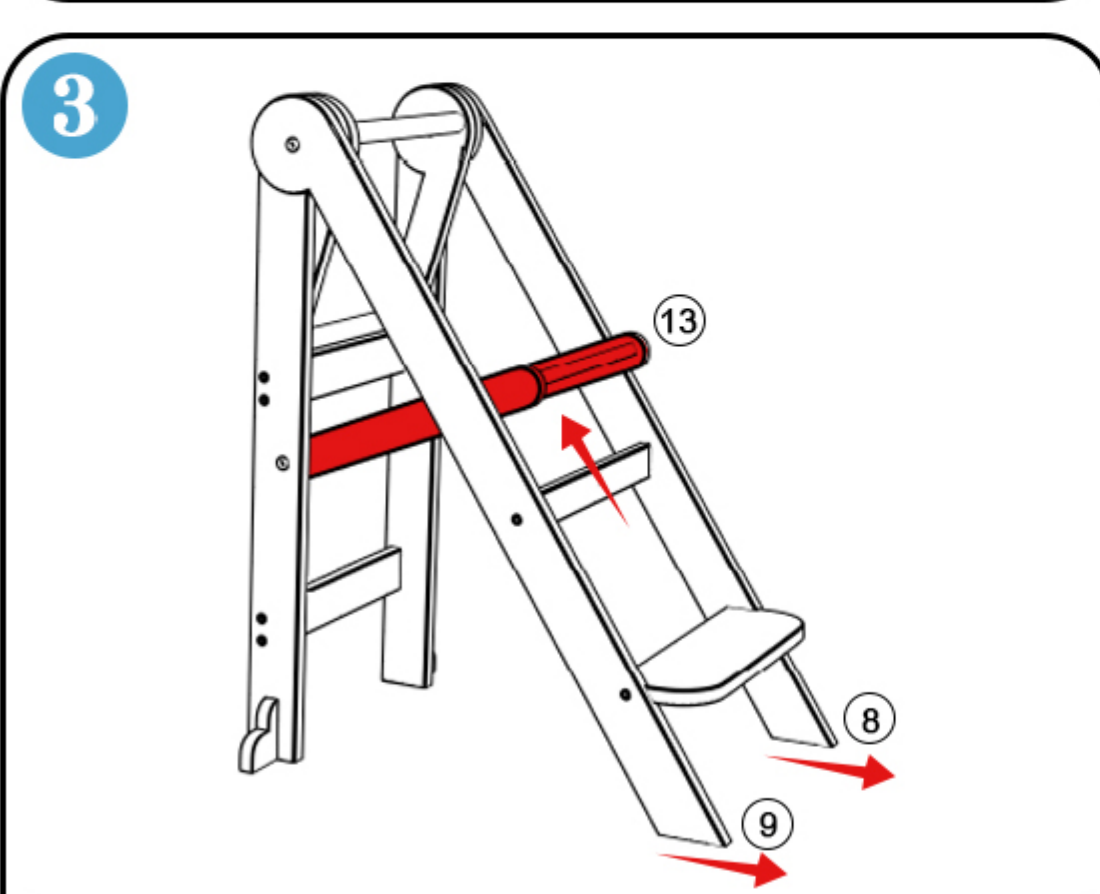
Folding method



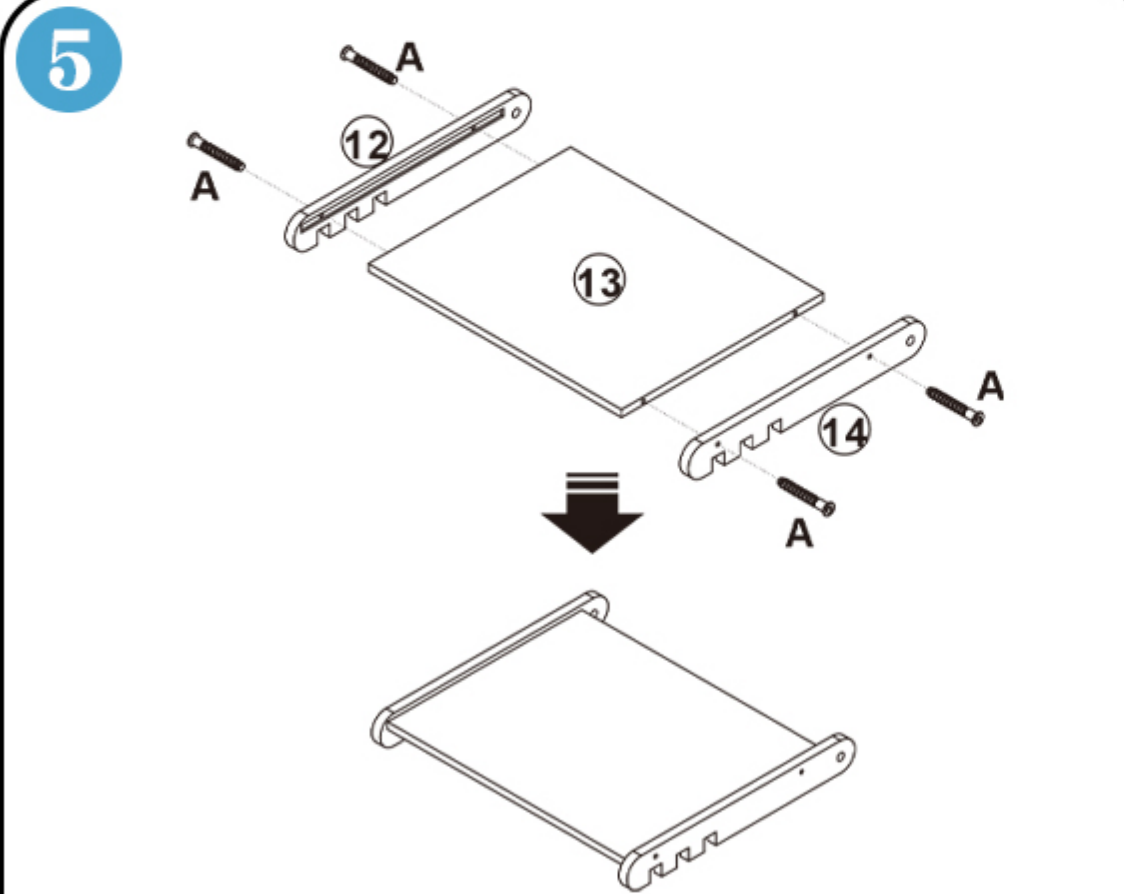
Remove E and keep it properly.



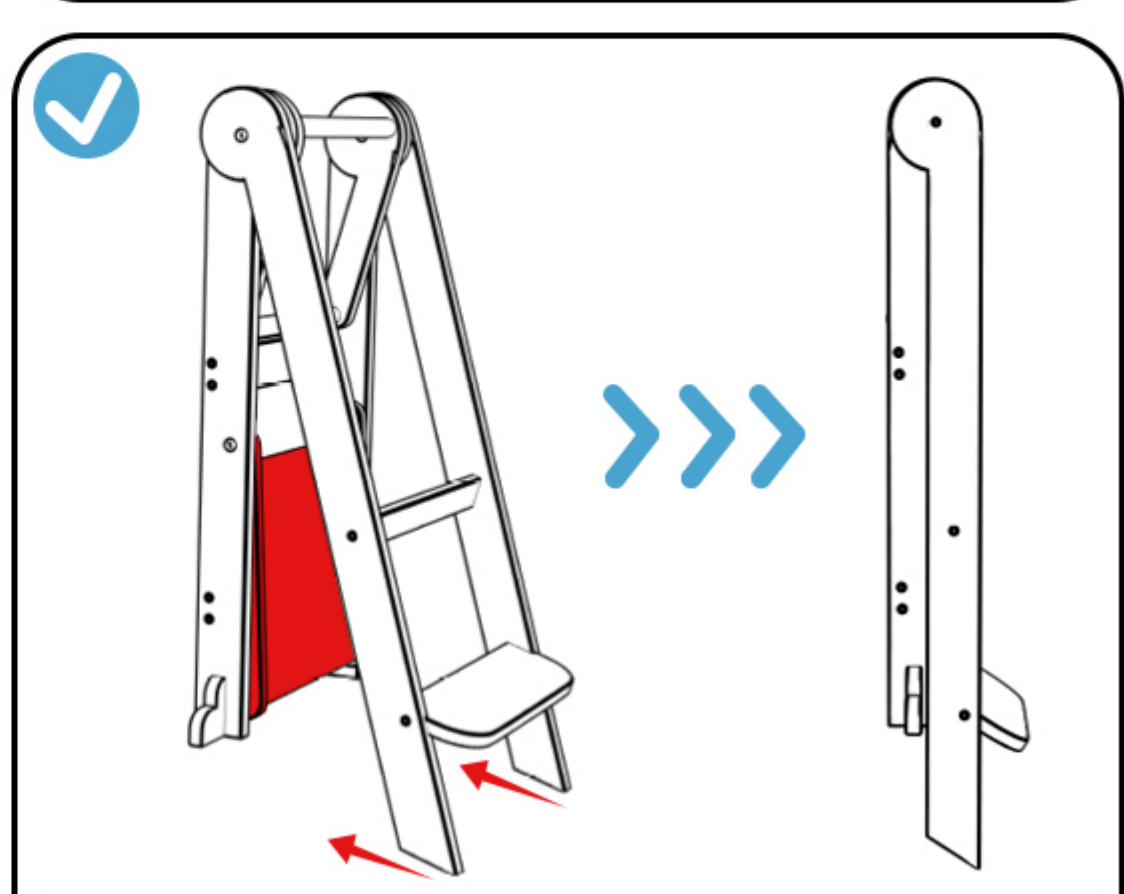
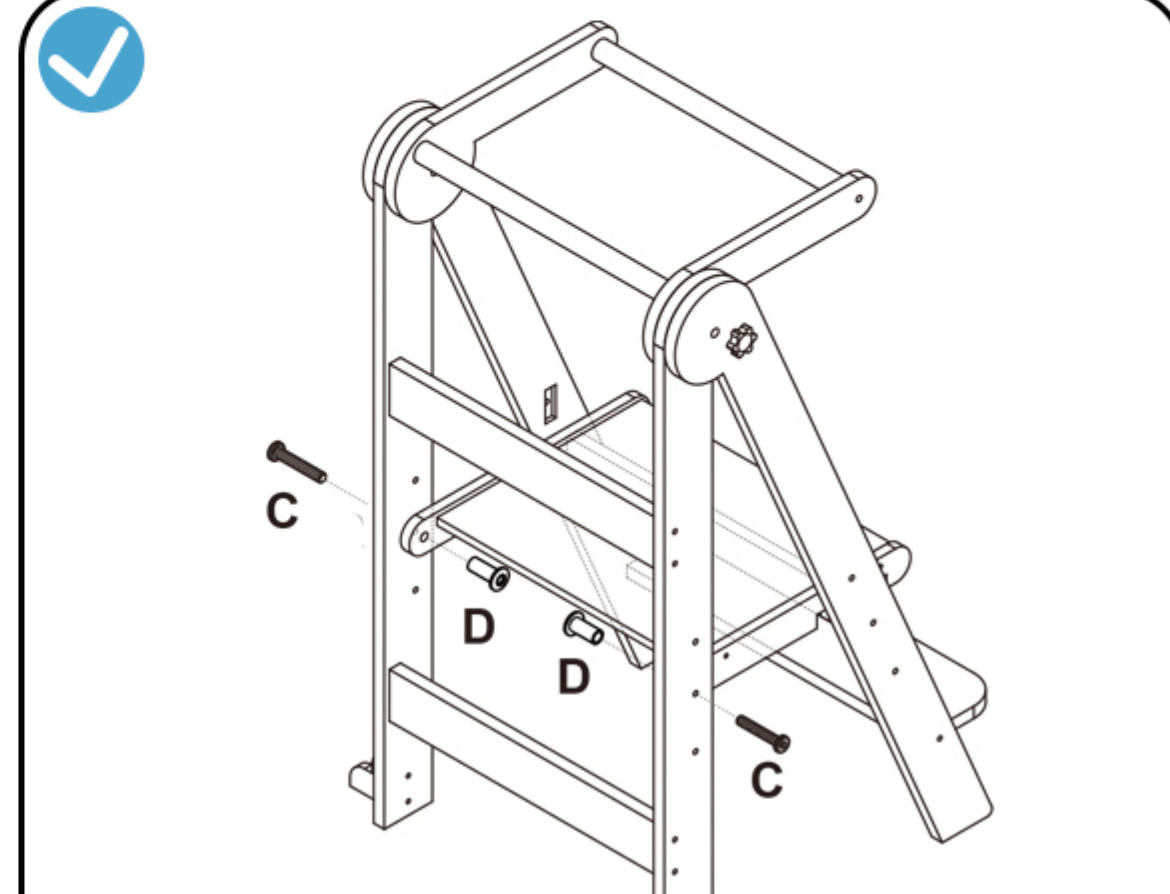
The safety guardrail rotates back to place.



When the pedal ⑬ is lifted, ⑧ and ⑨ move outward.



Connect parts ⑫, ⑬ and ⑭ using screws A.



Put the pedals down vertically and fold the chair.